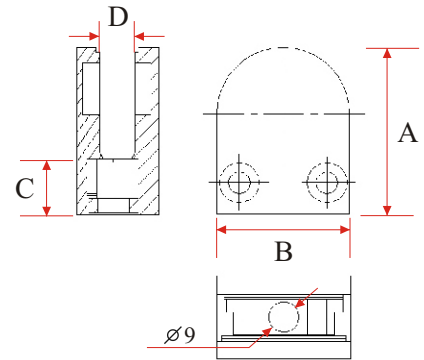


# ANOR

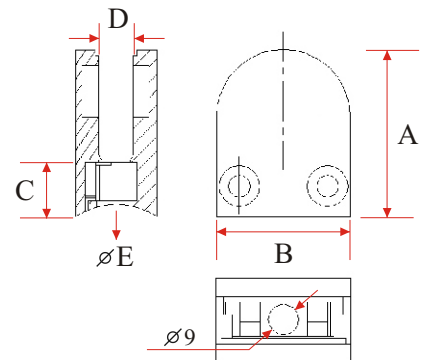
## HERRAJES INOXIDABLE



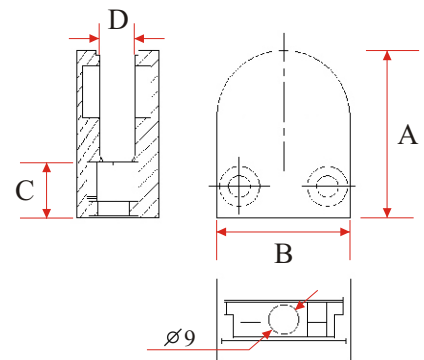
REF.	A	B	C	D
PZ901	50	40	16	8-10



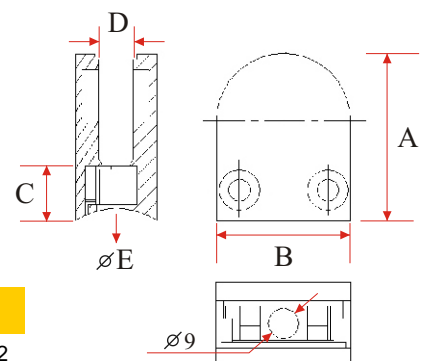
REF.	E	A	B	C	D
PZ902	43	50	40	16	8-10
PZ903	50.8	50	40	16	8-10

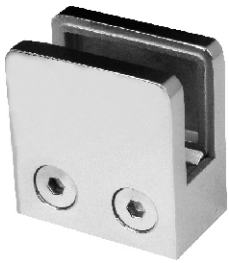


REF.	A	B	C	D
PZ904	63	45	15.5	10-12

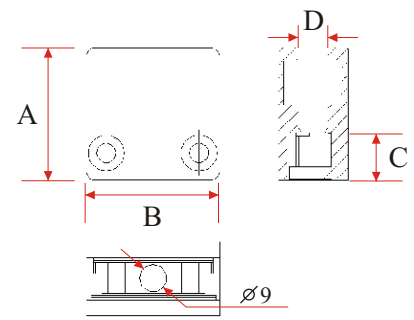


REF.	E	A	B	C	D
PZ905	43	63	45	15.5	10-12

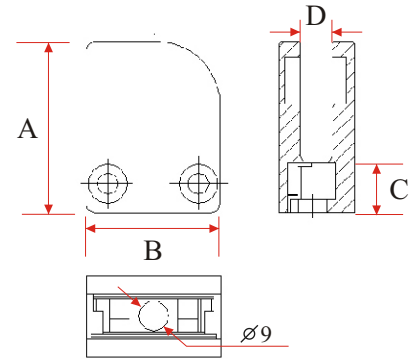




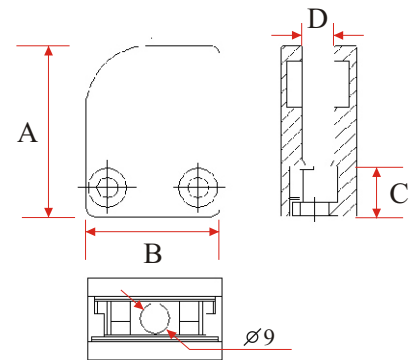
REF.	A	B	C	D
PZ906	45	45	16	8-10



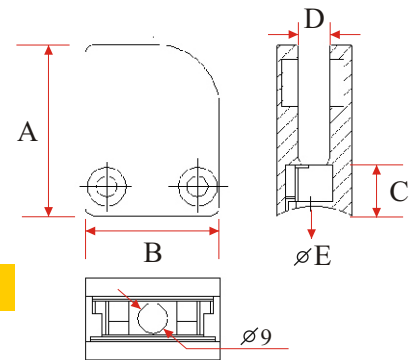
REF.	A	B	C	D
PZ907	54	42	16	8-10



REF.	A	B	C	D
PZ907D	54	42	16	8-10



REF.	E	A	B	C	D
PZ908	43	54	42	16	8-10
PZ909	50.8	54	42	16	8-10



REF.	E	A	B	C	D
PZ908D	43	54	42	16	8-10
PZ909D	50.8	54	42	16	8-10

