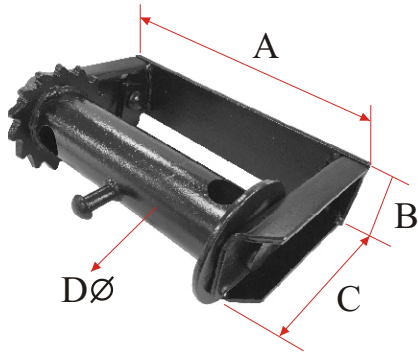
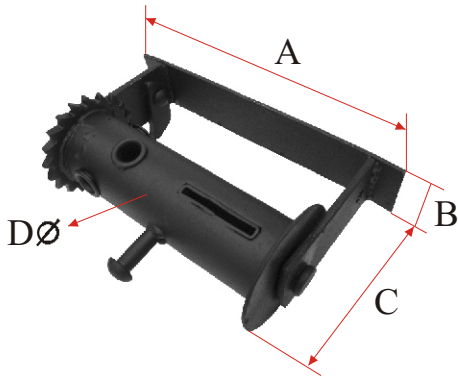


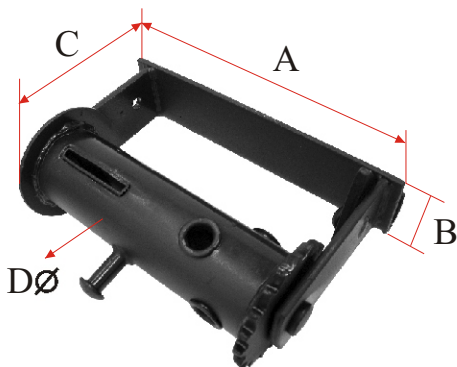
TORNO TENSOR				
REF.	A (mm)	B (mm)	C (mm)	D (mm)
TT-40 S/C	208	40	95	40



TORNO TENSOR				
REF.	A (mm)	B (mm)	C (mm)	D (mm)
TT-50 S/C	214	50	135	50



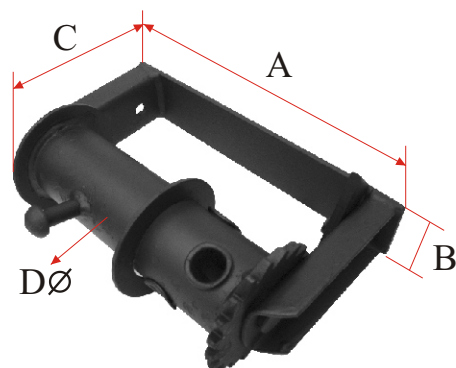
TORNO TENSOR				
REF.	A (mm)	B (mm)	C (mm)	D (mm)
TT-60 C/CE	248	50	115	60



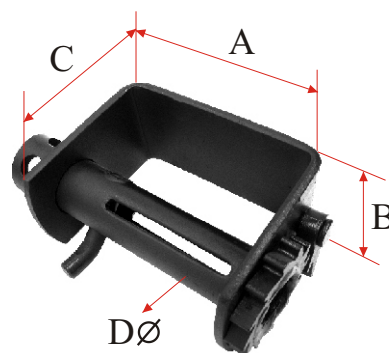
TORNO TENSOR				
REF.	A (mm)	B (mm)	C (mm)	D (mm)
TT-60 C/C DES 232		55	165	60

TORNO TENSOR

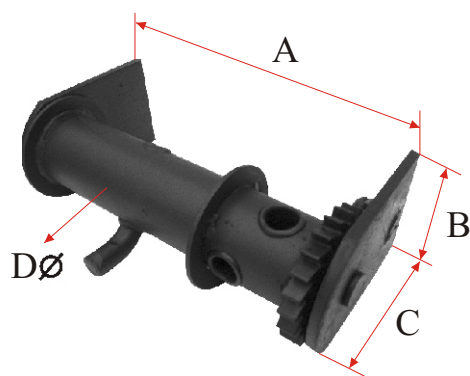
REF.	A (mm)	B (mm)	C (mm)	D (mm)
TT-60 C/C	250	50	150	60


TORNO TENSOR

REF.	A (mm)	B (mm)	C (mm)	D (mm)
TT-48 R/F	178	90	138	48


TORNO TENSOR

REF.	A (mm)	B (mm)	C (mm)	D (mm)
TT-60 RF	280	90	145	60


TORNO TENSOR

REF.	A (mm)	B (mm)	C (mm)	D (mm)
TT-60 RF/B	295	90	150	60

