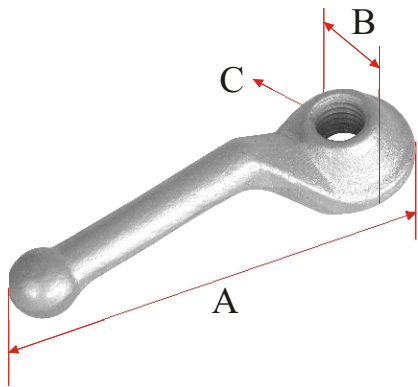


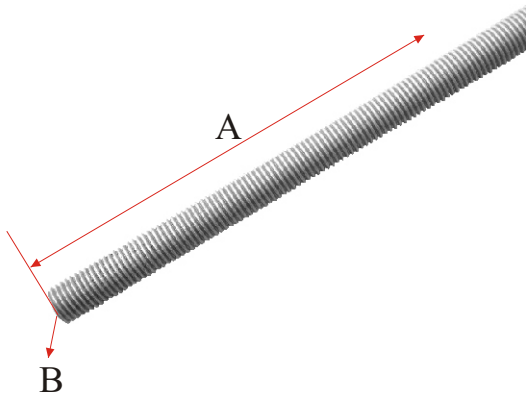
CIERRE LATERAL

REF.	A (mm)	B (mm)	C (mm)
T-1 5/8"	123	39	5/8"
T-16	136	42	16
T-2 3/4"	136	42	3/4"
T-20	150	46	20
T-3 7/8"	150	46	7/8"
T-4 1"	154	46	1"



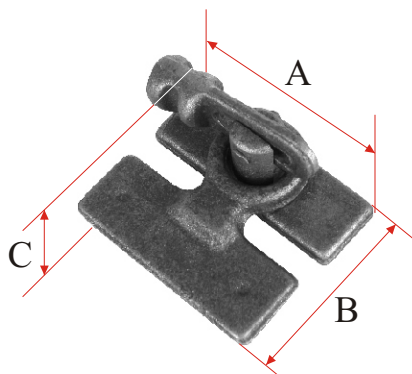
CIERRE LATERAL

REF.	A (mm)	B (mm)	C (mm)
T-1 5/8" ZINC	123	39	5/8"
T-16 ZINC	136	42	16
T-2 3/4" ZINC	136	42	3/4"
T-20 ZINC	150	46	20
T-3 7/8" ZINC	150	46	7/8"
T-4 1" ZINC	154	46	1"



CIERRE LATERALE

REF.	A (mm)	B (mm)
VR-1 5/8" ZINC	1000	5/8"
VR-16 ZINC	1000	16
VR-2 3/4" ZINC	1000	3/4"
VR-20 ZINC	1000	20
VR-3 7/8" ZINC	1000	7/8"
VR-4 1" ZINC	1000	1"

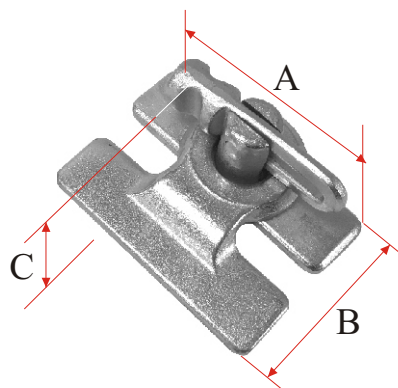


CIERRE LATERAL

REF.	A (mm)	B (mm)	C (mm)
T-5	124	90	45
T-6	81	69	34

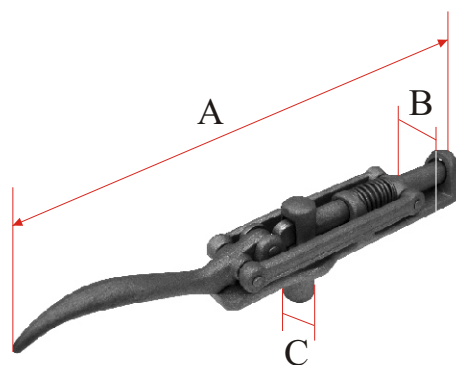
CIERRE LATERAL

REF.	A (mm)	B (mm)	C (mm)
T-5 ZINC	124	90	45
T-6 ZINC	81	69	34



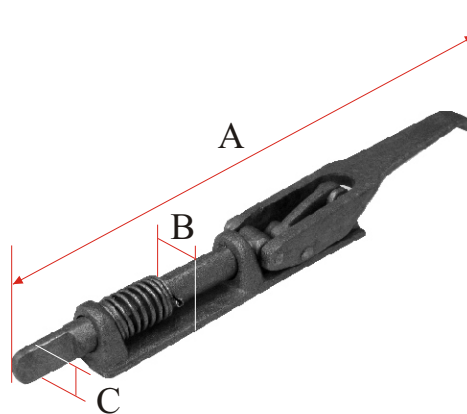
CIERRE LATERAL

REF.	A (mm)	B (mm)	C (mm)
T-8	370	42	25
T-9	290	34	20



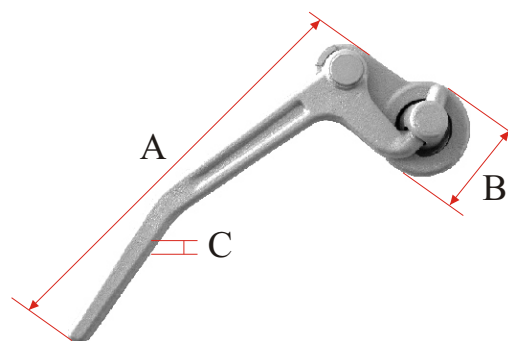
CIERRE LATERAL

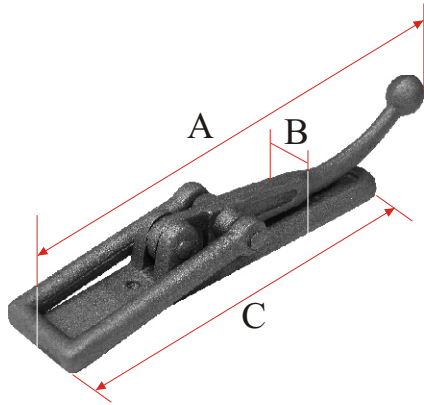
REF.	A (mm)	B (mm)	C (mm)
T-10	326	33	16



CIERRE LATERAL

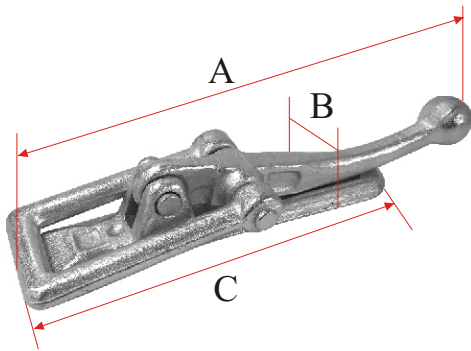
REF.	A (mm)	B (mm)	C (mm)
CBL-10 ZINC (IZD.)	263	60	12
CBL-15 ZINC (DCH.)	263	60	12





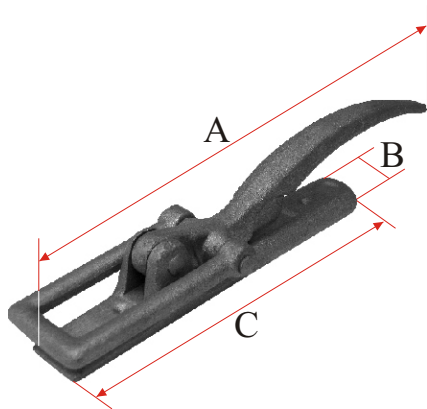
CIERRE TRASERO

REF.	A (mm)	B (mm)	C (mm)
C-2	257	31	208
C-3	193	26	146
C-4	149	22	114



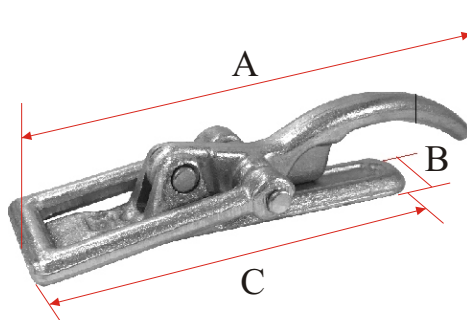
CIERRE TRASERO

REF.	A (mm)	B (mm)	C (mm)
C-2 ZINC	257	31	208
C-3 ZINC	193	26	146
C-4 ZINC	149	22	114



CIERRE TRASERO

REF.	A (mm)	B (mm)	C (mm)
C-12	264	31	199
C-13	202	26	156
C-14	163	22	114

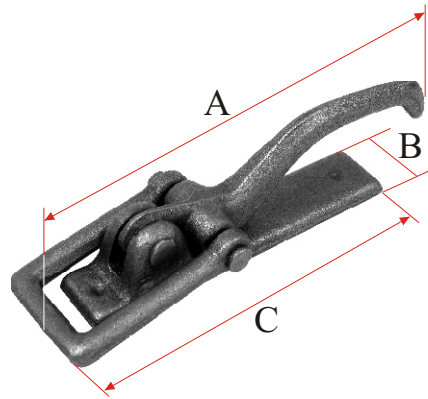


CIERRE TRASERO

REF.	A (mm)	B (mm)	C (mm)
C-12 ZINC	264	31	199
C-13 ZINC	202	26	156
C-14 ZINC	163	22	114

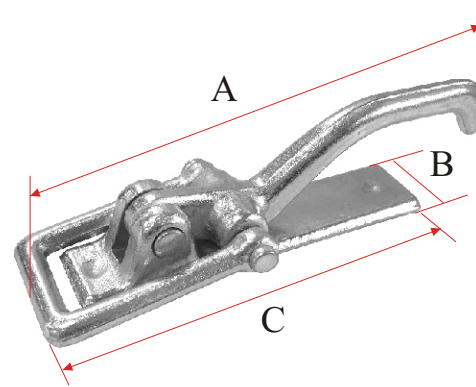
CIERRE TRASERO

REF.	A (mm)	B (mm)	C (mm)
C-5	135	21	114



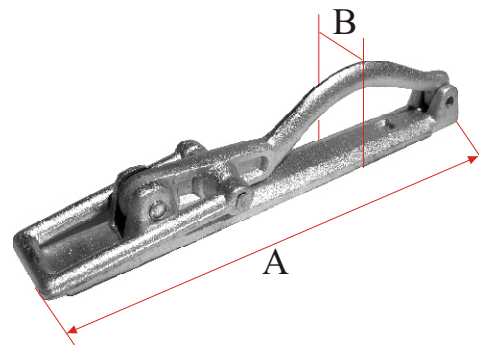
CIERRE TRASERO

REF.	A (mm)	B (mm)	C (mm)
C-5 ZINC	135	21	114



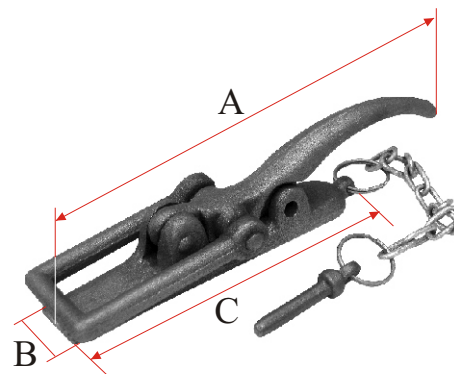
CIERRE TRASERO

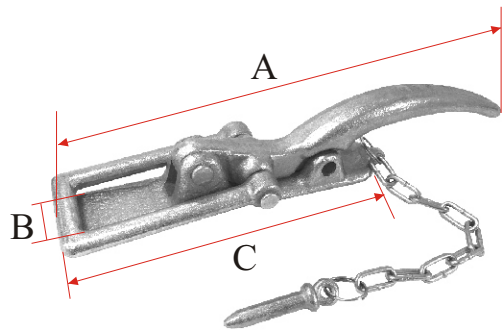
REF.	A (mm)	B (mm)
C-7 ZINC	312	34



CIERRE TRASERO

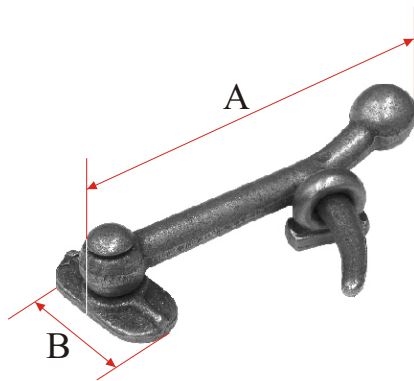
REF.	A (mm)	B (mm)	C (mm)
C-8	278	31	189
C-9	202	26	150





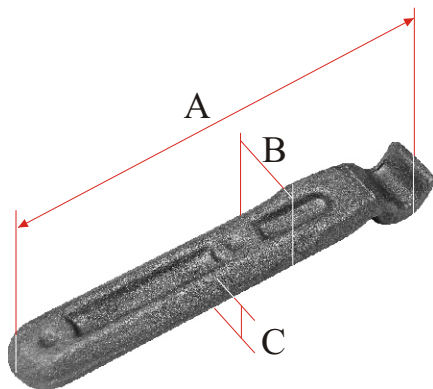
CIERRE TRASERO

REF.	A (mm)	B (mm)	C (mm)
C-8 ZINC	278	31	189
C-9 ZINC	202	26	150



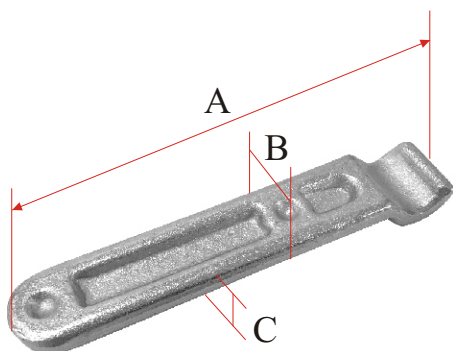
CIERRE TRASERO

REF.	A (mm)	B (mm)
CP-1	200	65
CP-1 lz.	200	65
CP-2	173	60
CP-2 lz.	173	60
CP-3	145	50
CP-3 lz.	145	50



UÑA DE FORJA FIJA

REF.	A (mm)	B (mm)	C (mm)
U-2	175	30	9
U-3	130	23	6
U-4	107	18	7

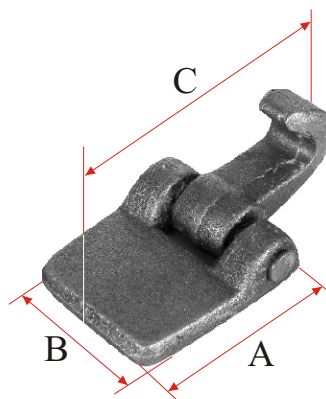


UÑA DE FORJA FIJA

REF.	A (mm)	B (mm)	C (mm)
U-2 ZINC	175	30	9
U-3 ZINC	130	23	6
U-4 ZINC	107	18	7

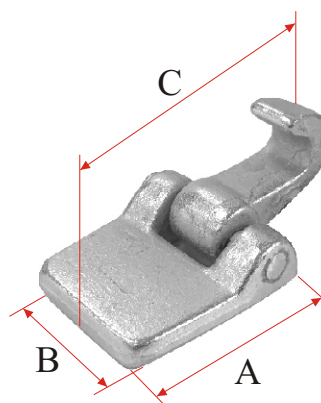
UÑA DE FORJA ARTICULADA

REF.	A (mm)	B (mm)	C (mm)
U-6	60	47	91



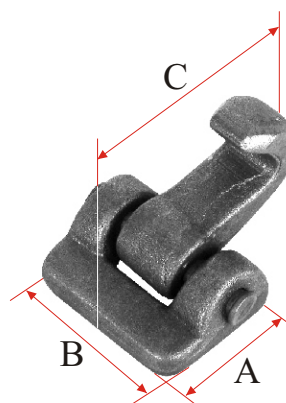
UÑA DE FORJA ARTICULADA

REF.	A (mm)	B (mm)	C (mm)
U-6 ZINC	60	47	91



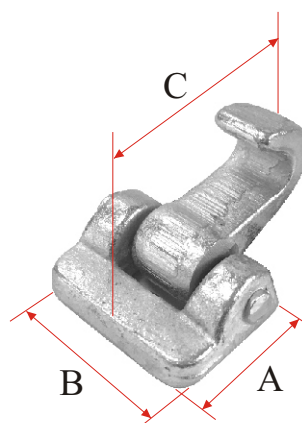
UÑA DE FORJA ARTICULADA

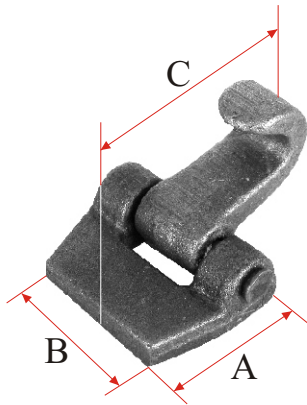
REF.	A (mm)	B (mm)	C (mm)
U-7	38	50	71



UÑA DE FORJA ARTICULADA

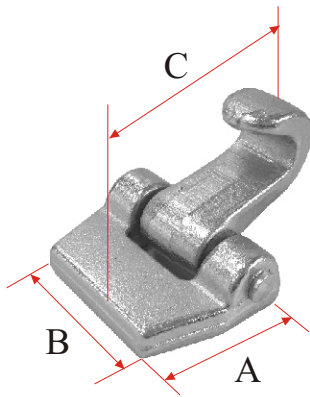
REF.	A (mm)	B (mm)	C (mm)
U-7 ZINC	38	50	71





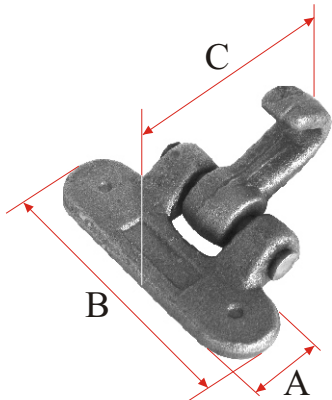
UÑA DE FORJA ARTICULADA

REF.	A (mm)	B (mm)	C (mm)
U-8	46	47	82



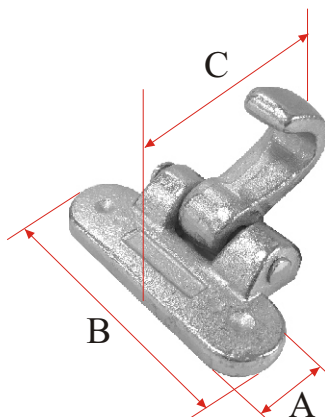
UÑA DE FORJA ARTICULADA

REF.	A (mm)	B (mm)	C (mm)
U-8 ZINC	46	47	82



UÑA DE FORJA ARTICULADA

REF.	A (mm)	B (mm)	C (mm)
U-9	24	78	74

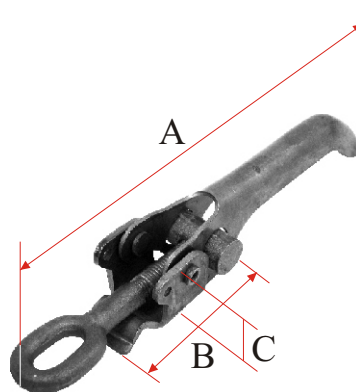


UÑA DE FORJA ARTICULADA

REF.	A (mm)	B (mm)	C (mm)
U-9 ZINC	24	78	74

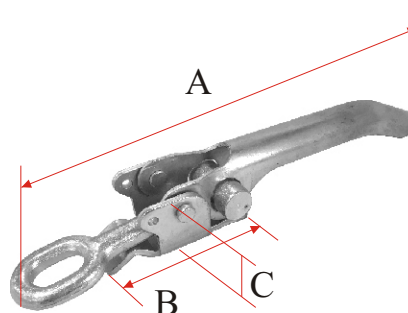
CIERRE REGULABLE

REF.	A (mm)	B (mm)	C (mm)
CH-30	232	83	40



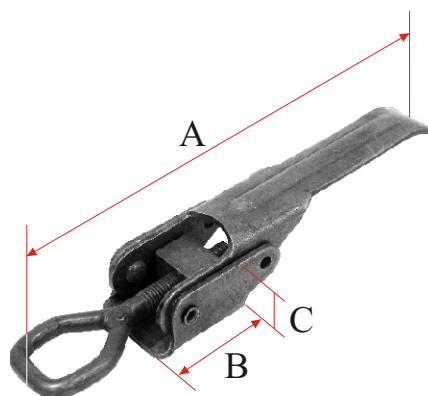
CIERRE REGULABLE

REF.	A (mm)	B (mm)	C (mm)
CH-30 ZINC	232	83	40



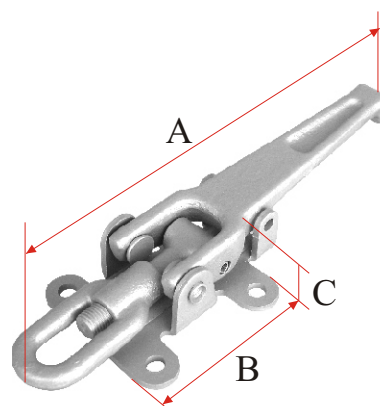
CIERRE REGULABLE

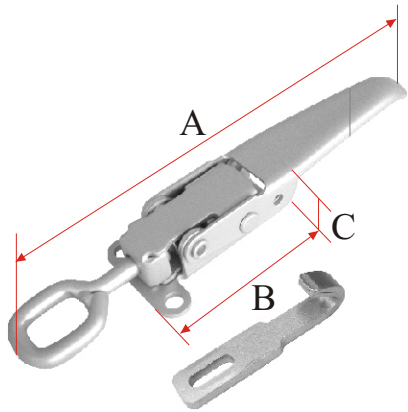
REF.	A (mm)	B (mm)	C (mm)
CH-31	182	40	25



CIERRE REGULABLE

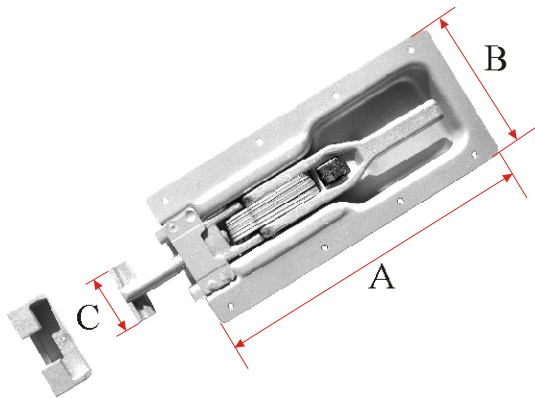
REF.	A (mm)	B (mm)	C (mm)
C-15 ZINC	260	106	35





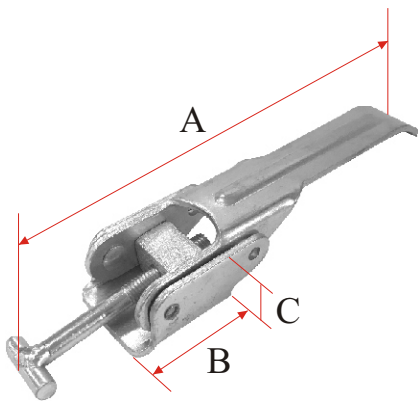
CIERRE REGULABLE

REF.	A (mm)	B (mm)	C (mm)
CH-33 ZINC	240	82	30
CH-33 INOX	240	82	30



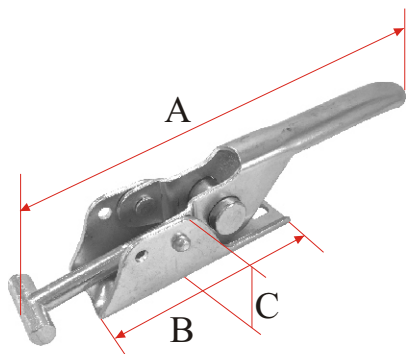
CIERRE REGULABLE

REF.	A (mm)	B (mm)	C (mm)
C-16 ZINC	270	120	53



CIERRE REGULABLE

REF.	A (mm)	B (mm)	C (mm)
CH-32 ZINC	190	40	24

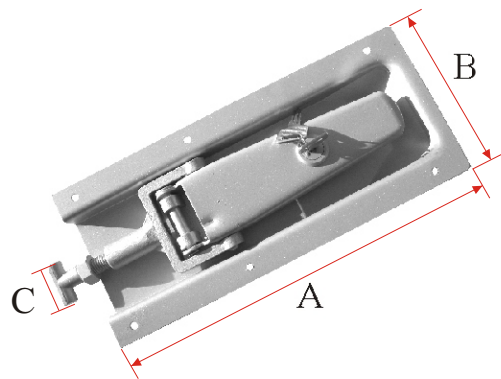


CIERRE REGULABLE

REF.	A (mm)	B (mm)	C (mm)
CH-35 ZINC	235	106	36

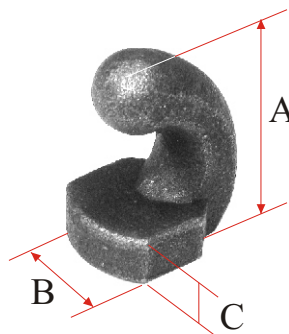
CIERRE REGULABLE

REF.	A (mm)	B (mm)	C (mm)
C-17 ZINC	275	120	32



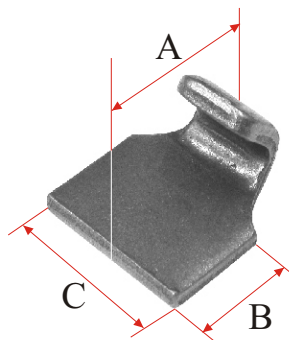
UÑA PARA C. REGULABLE

REF.	A (mm)	B (mm)	C (mm)
U-30	37	22	9



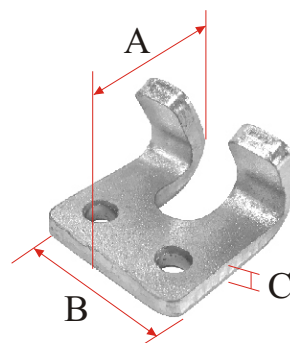
UÑA PARA C. REGULABLE

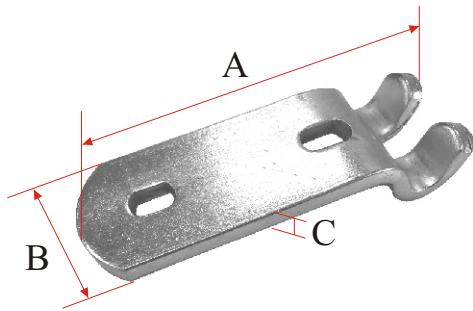
REF.	A (mm)	B (mm)	C (mm)
UH-31	32	19	30



UÑA PARA C. REGULABLE

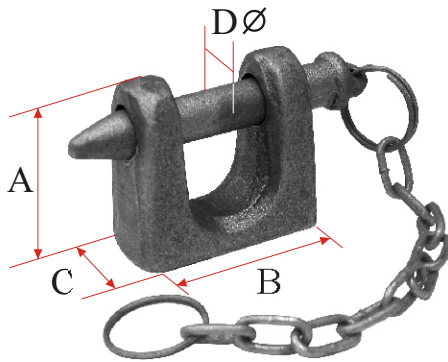
REF.	A (mm)	B (mm)	C (mm)
UH-32 ZINC	32	30	4





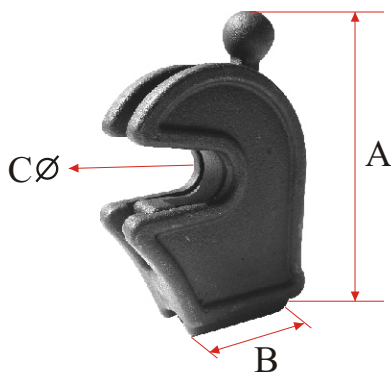
UÑA PARA C. REGULABLE

REF.	A (mm)	B (mm)	C (mm)
UH-35 ZINC	115	40	6



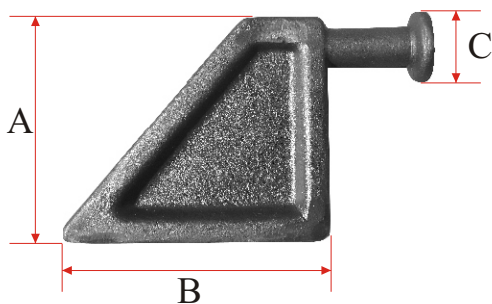
CIERRE DE BULÓN

REF.	A (mm)	B (mm)	C (mm)	D (mm)
C-11	51	56	25	12



CIERRE DE BULÓN

REF.	A (mm)	B (mm)	C (mm)
CB-10	136	67	23
CB-30	135	75	33

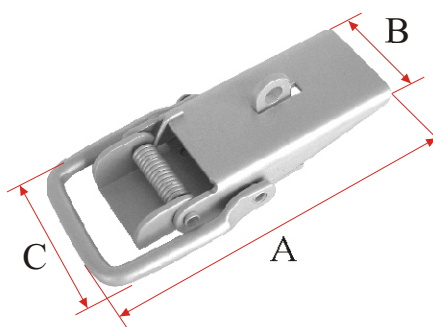


CIERRE DE BULÓN

REF.	A (mm)	B (mm)	C (mm)
UB-10	107	129	35
UB-30	115	129	40

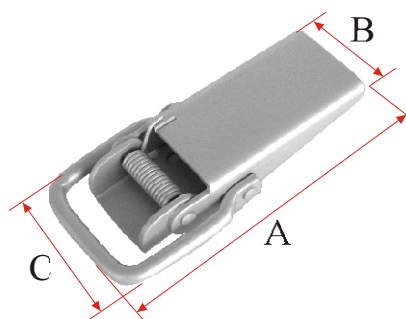
CIERRE DE CHAPA

REF.	A (mm)	B (mm)	C (mm)
CH-10 ZINC	144	48	68



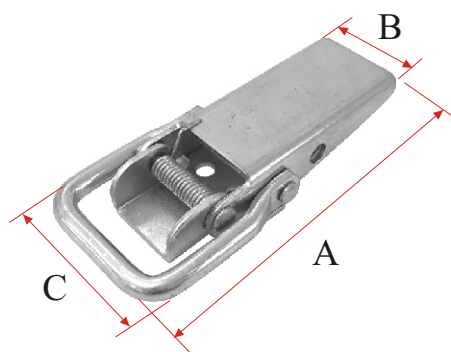
CIERRE DE CHAPA

REF.	A (mm)	B (mm)	C (mm)
CH-10.2 ZINC	140	48	68



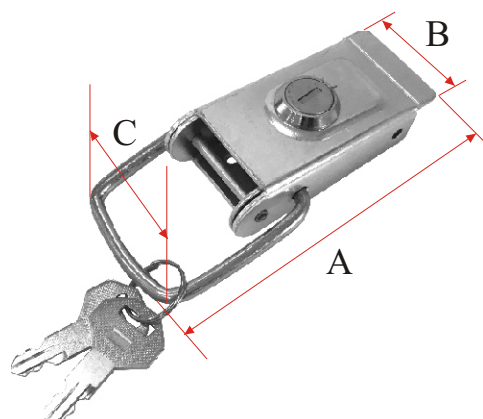
CIERRE DE CHAPA

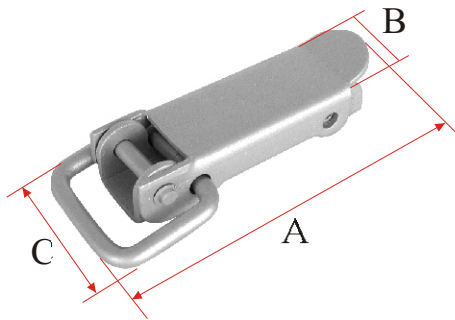
REF.	A (mm)	B (mm)	C (mm)
CH-10.3 ZINC	107	30	47



CIERRE DE CHAPA

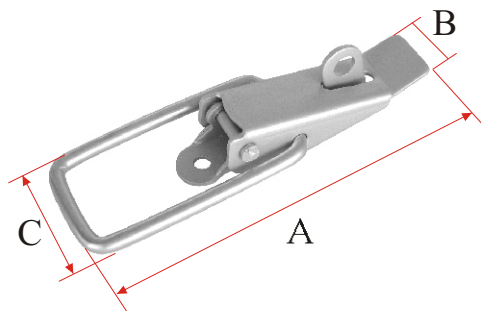
REF.	A (mm)	B (mm)	C (mm)
CH-13.2 ZINC	129	38	55





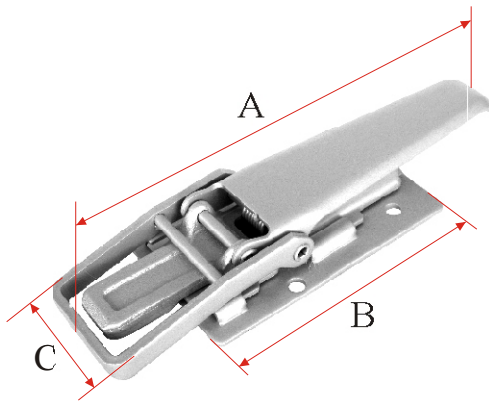
CIERRE DE CHAPA

REF.	A (mm)	B (mm)	C (mm)
CH-14 ZINC	89	24	39



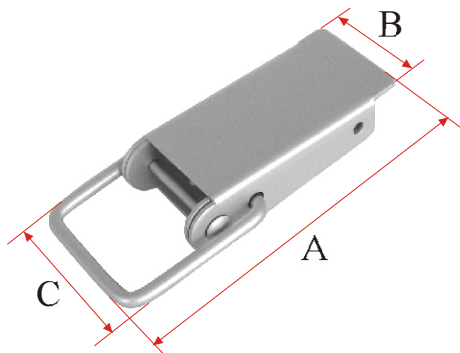
CIERRE DE CHAPA

REF.	A (mm)	B (mm)	C (mm)
CH-15 ZINC	120	20	40



CIERRE DE CHAPA

REF.	A (mm)	B (mm)	C (mm)
CH-20 ZINC	260	143	63

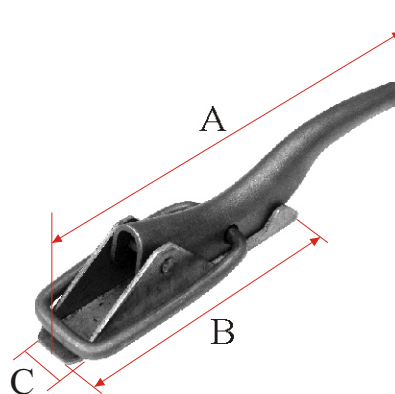


CIERRE DE CHAPA

REF.	A (mm)	B (mm)	C (mm)
CH-21 ZINC	115	40	53

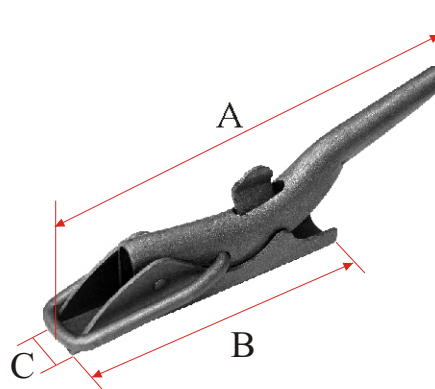
CIERRE DE CHAPA

REF.	A (mm)	B (mm)	C (mm)
CH-3	213	130	27
CH-4	160	104	24



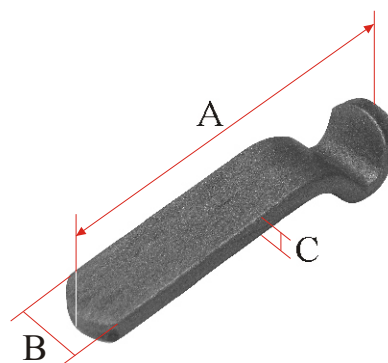
CIERRE DE CHAPA

REF.	A (mm)	B (mm)	C (mm)
CH-8	265	165	30



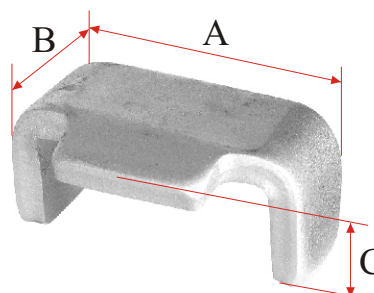
UÑA DE CHAPA

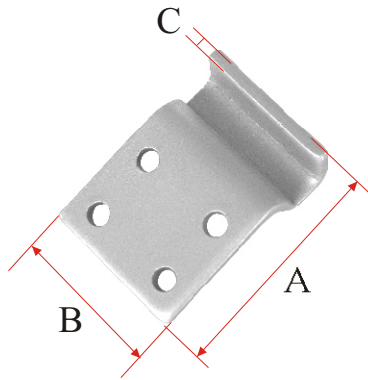
REF.	A (mm)	B (mm)	C (mm)
UH 3/8"	140	30	7
UH-4	102	19	5



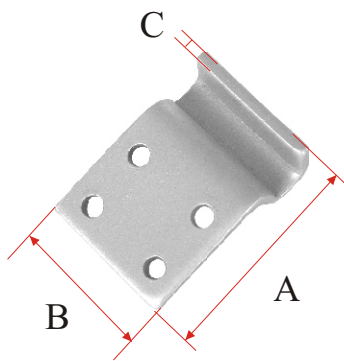
UÑA DE CHAPA

REF.	A (mm)	B (mm)	C (mm)
UH-20 ZINC	45	16	22

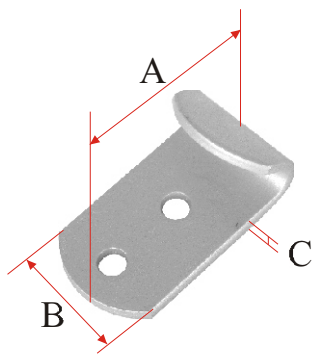




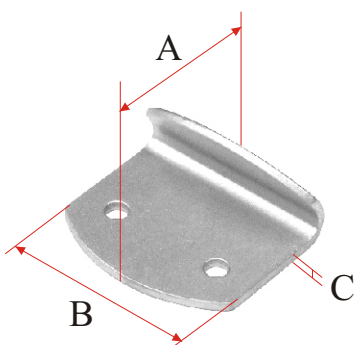
UÑA DE CHAPA			
REF.	A (mm)	B (mm)	C (mm)
UH-10 ZINC	57	40	4



UÑA DE CHAPA			
REF.	A (mm)	B (mm)	C (mm)
UH-10.3 ZINC	48.5	40	4



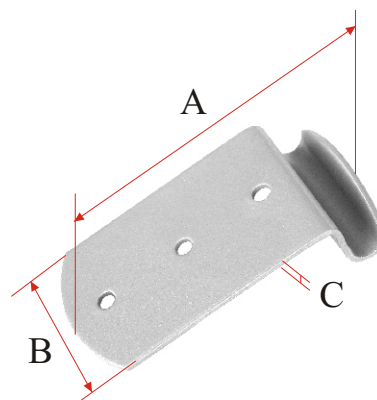
UÑA DE CHAPA			
REF.	A (mm)	B (mm)	C (mm)
UH-11 ZINC	68	40	4



UÑA DE CHAPA			
REF.	A (mm)	B (mm)	C (mm)
UH-12 ZINC	33	40	2

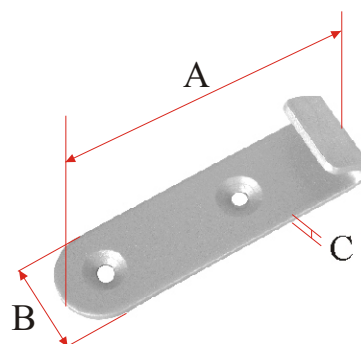
UÑA DE CHAPA

REF.	A (mm)	B (mm)	C (mm)
UH-13 ZINC	75	40	2



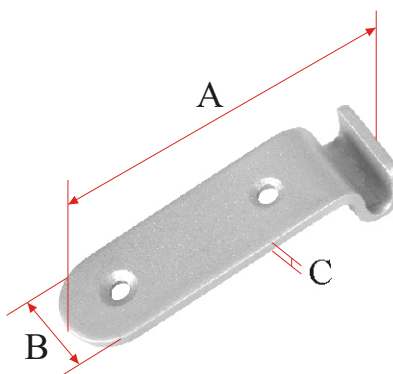
UÑA DE CHAPA

REF.	A (mm)	B (mm)	C (mm)
UH-14 ZINC	86	25	3



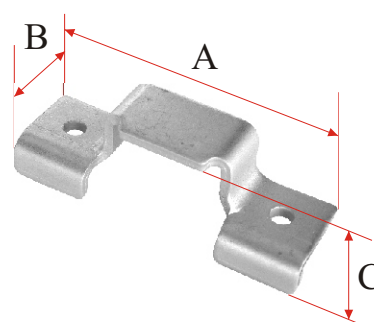
UÑA DE CHAPA

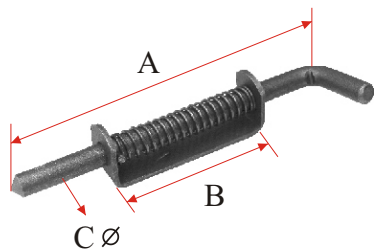
REF.	A (mm)	B (mm)	C (mm)
UH-15 ZINC	83	25	3



UÑA DE CHAPA

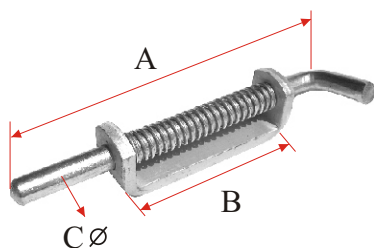
REF.	A (mm)	B (mm)	C (mm)
UH-20.2 ZINC	100	30	24





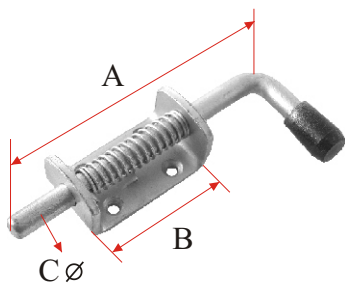
CERROJO CON MUELLE

REF.	A (mm)	B (mm)	C (mm)
CG-2	218	110	14



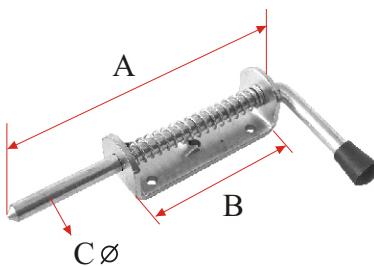
CERROJO CON MUELLE

REF.	A (mm)	B (mm)	C (mm)
CG-2 ALU	210	115	14



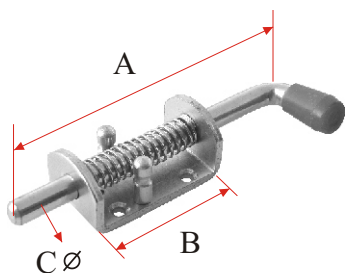
CERROJO CON MUELLE

REF.	A (mm)	B (mm)	C (mm)
CG-4 ZINC	162	75	12



CERROJO CON MUELLE

REF.	A (mm)	B (mm)	C (mm)
CG-6 ZINC	230	120	12
CG-8 ZINC	260	133	16

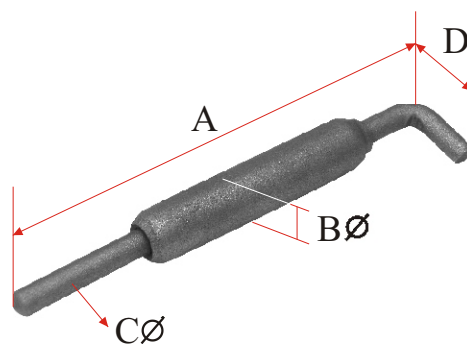


CERROJO CON MUELLE

REF.	A (mm)	B (mm)	C (mm)
CG-7 ZINC	165	73	12

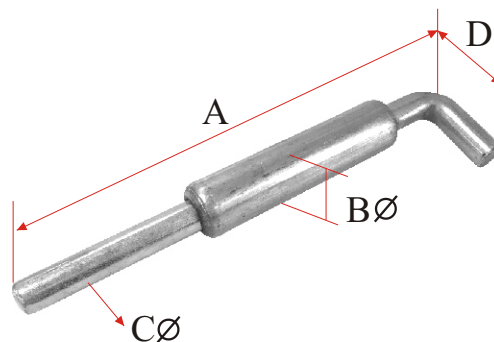
CERROJO CON MUELLE

REF.	A (mm)	B (mm)	C (mm)	D (mm)
CG-1	192	21	10	35
CG-14	222	26	14	53



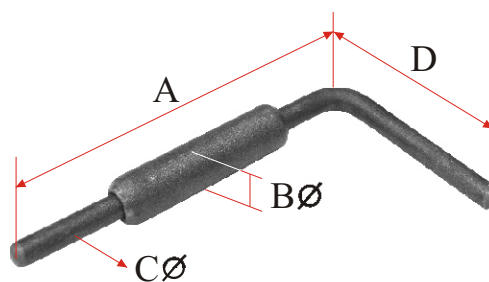
CERROJO CON MUELLE

REF.	A (mm)	B (mm)	C (mm)	D (mm)
CG-14 ZINC	222	26	14	53



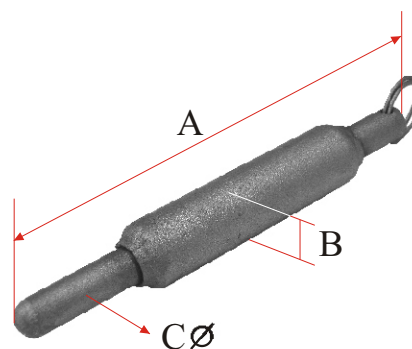
CERROJO CON MUELLE

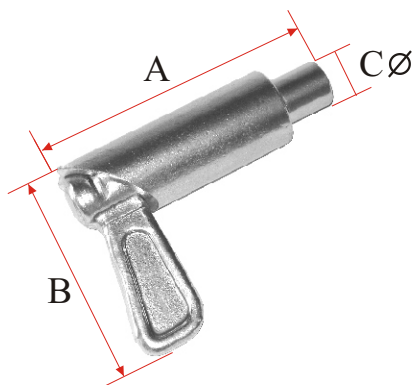
REF.	A (mm)	B (mm)	C (mm)	D (mm)
CG-1 L	165	19	10	90
CG-14 L	190	25	14	103



CERROJO CON MUELLE

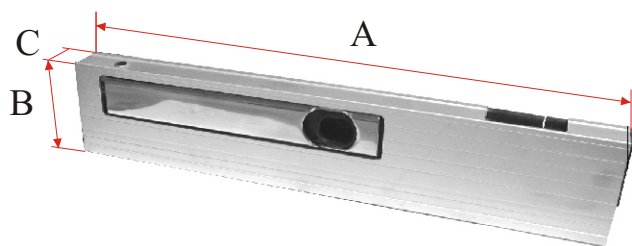
REF.	A (mm)	B (mm)	C (mm)
CG-3	185	25	14





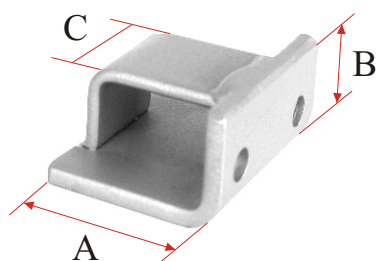
CERROJO CON MUELLE

REF.	A (mm)	B (mm)	C (mm)
CG-10 ZINC	71	49	12
CG-10.2 ZINC	71	49	14



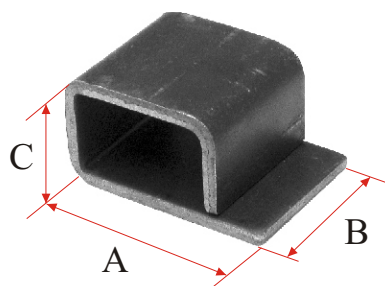
CIERRE DE ALUMINIO

REF.	A (mm)	B (mm)	C (mm)
CA-415 I ALU	415	78	25
CA-415 D ALU	415	78	25
CA-615 I ALU	615	78	25
CA-615 D ALU	615	78	25
CA-815 I ALU	815	78	25
CA-815 D ALU	815	78	25
CA-1015 I ALU	1015	78	25
CA-1015 D ALU	1015	78	25



UÑA DE CIERRE DE ALUMINIO

REF.	A (mm)	B (mm)	C (mm)
UCA-1 ZINC	40	27	25

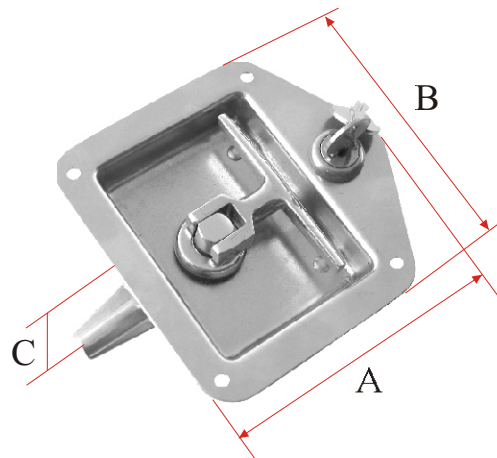


UÑA DE CIERRE DE ALUMINIO

REF.	A (mm)	B (mm)	C (mm)
UCA-2	41	30	22

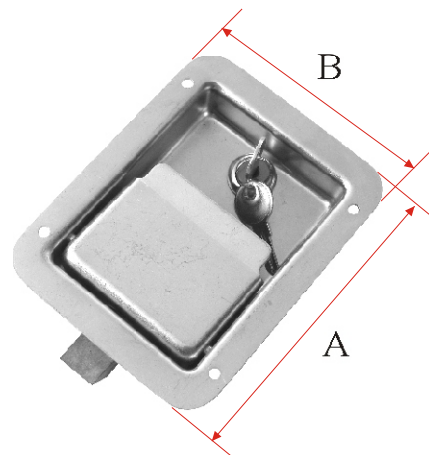
CIERRE DE CAJÓN

REF.	A (mm)	B (mm)	C (mm)
CC-1 ZINC	124	121	25
CC-1 INOX	124	121	25



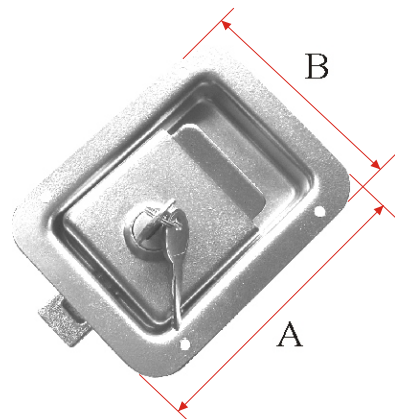
CIERRE DE CAJÓN

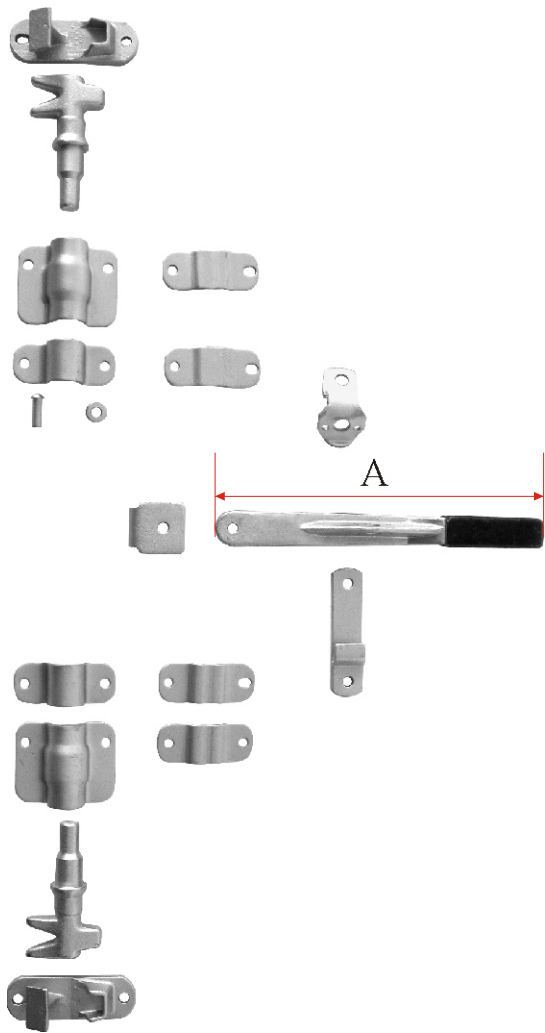
REF.	A (mm)	B (mm)
CC-2 ZINC	140	108
CC-2 INOX	140	108



CIERRE DE CAJÓN

REF.	A (mm)	B (mm)
CC-3 ZINC	120	92
CC-3 INOX	120	92

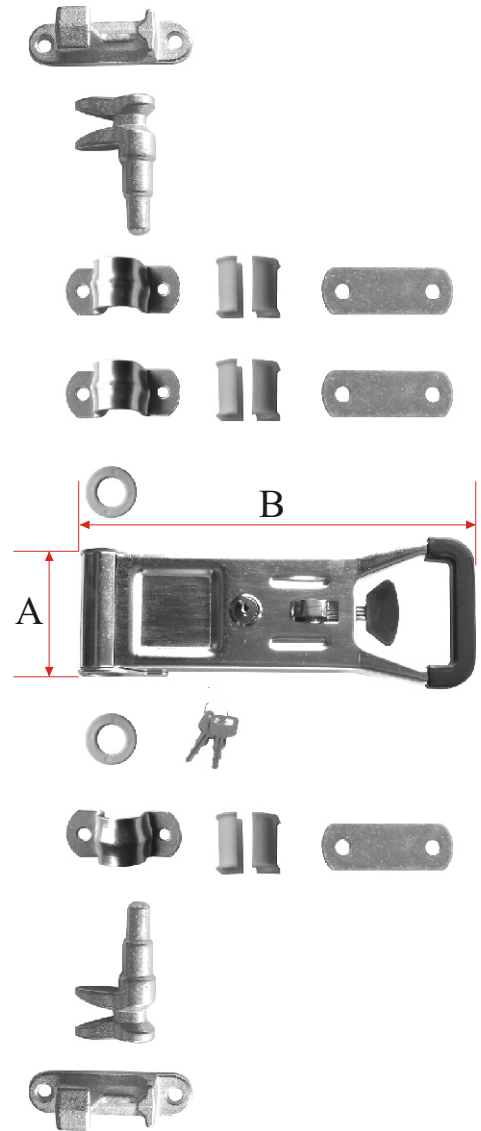




PARA TUBO DE 27mm

CIERRE DE FALLEBA

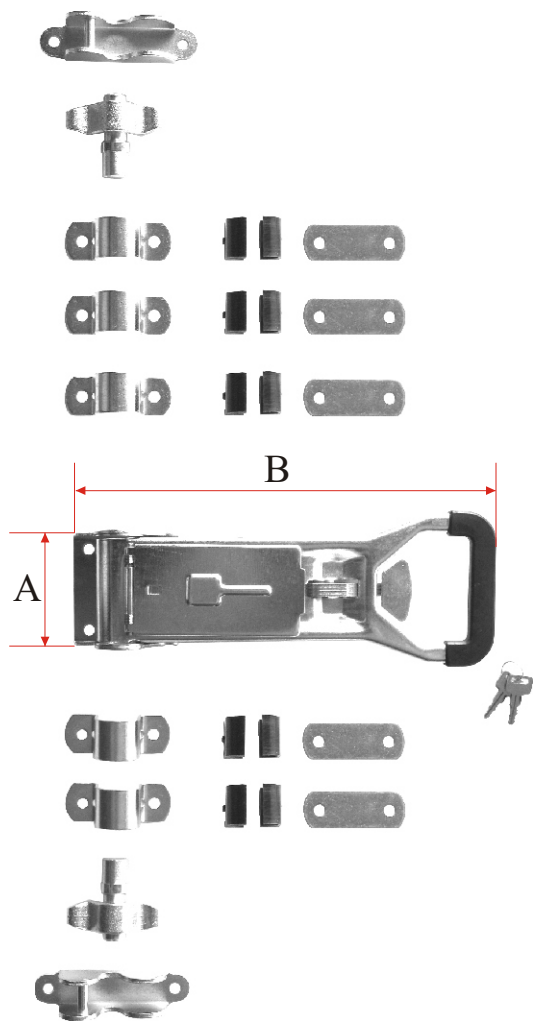
REF.	A (mm)
CF-1 ZINC	343



PARA TUBO DE 20mm

CIERRE DE FALLEBA

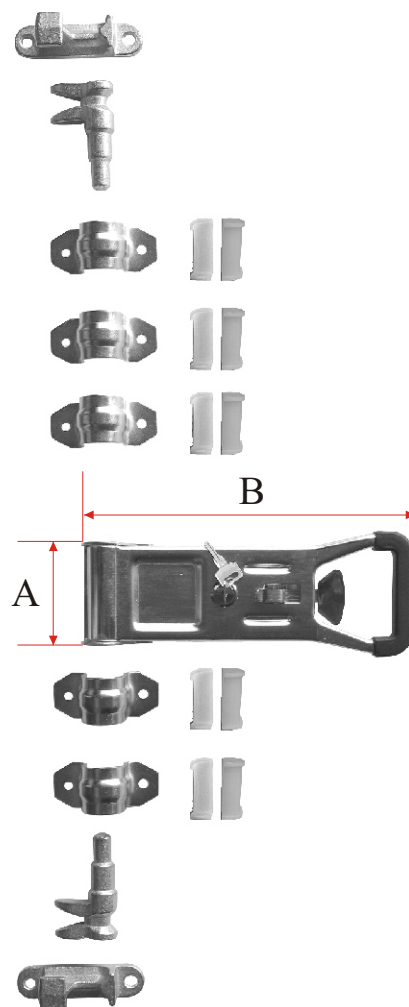
REF.	A (mm)	B (mm)
CF-20 ZINC	90	260



PARA TUBO DE 25mm

CIERRE DE FALLEBA

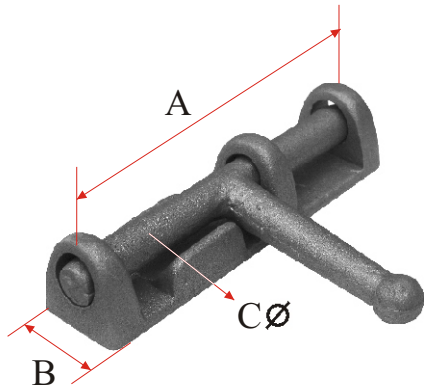
REF.	A (mm)	B (mm)
CF-25 ZINC	85	320



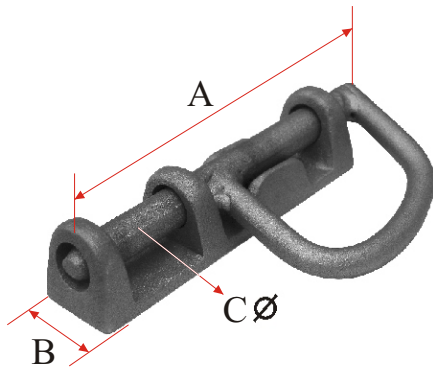
PARA TUBO DE 27mm

CIERRE DE FALLEBA

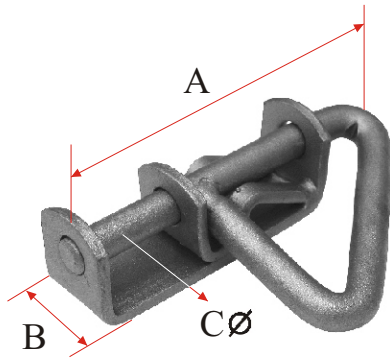
REF.	A (mm)	B (mm)
CF-27 ZINC	85	280



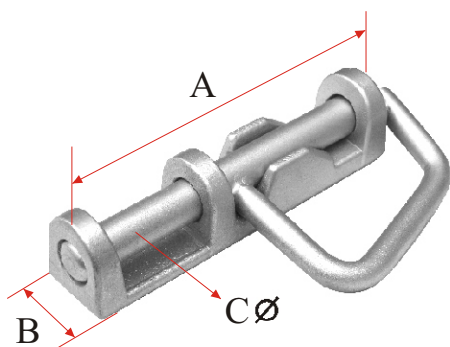
CERROJO			
REF.	A (mm)	B (mm)	C (mm)
CR-1	180	40	19
CR-2	154	37	16



CERROJO			
REF.	A (mm)	B (mm)	C (mm)
CR-5	200	40	18
CR-6	170	35	17



CERROJO			
REF.	A (mm)	B (mm)	C (mm)
CRH-6	177	40	16



CERROJO			
REF.	A (mm)	B (mm)	C (mm)
CR-6 ALU	155	34	17